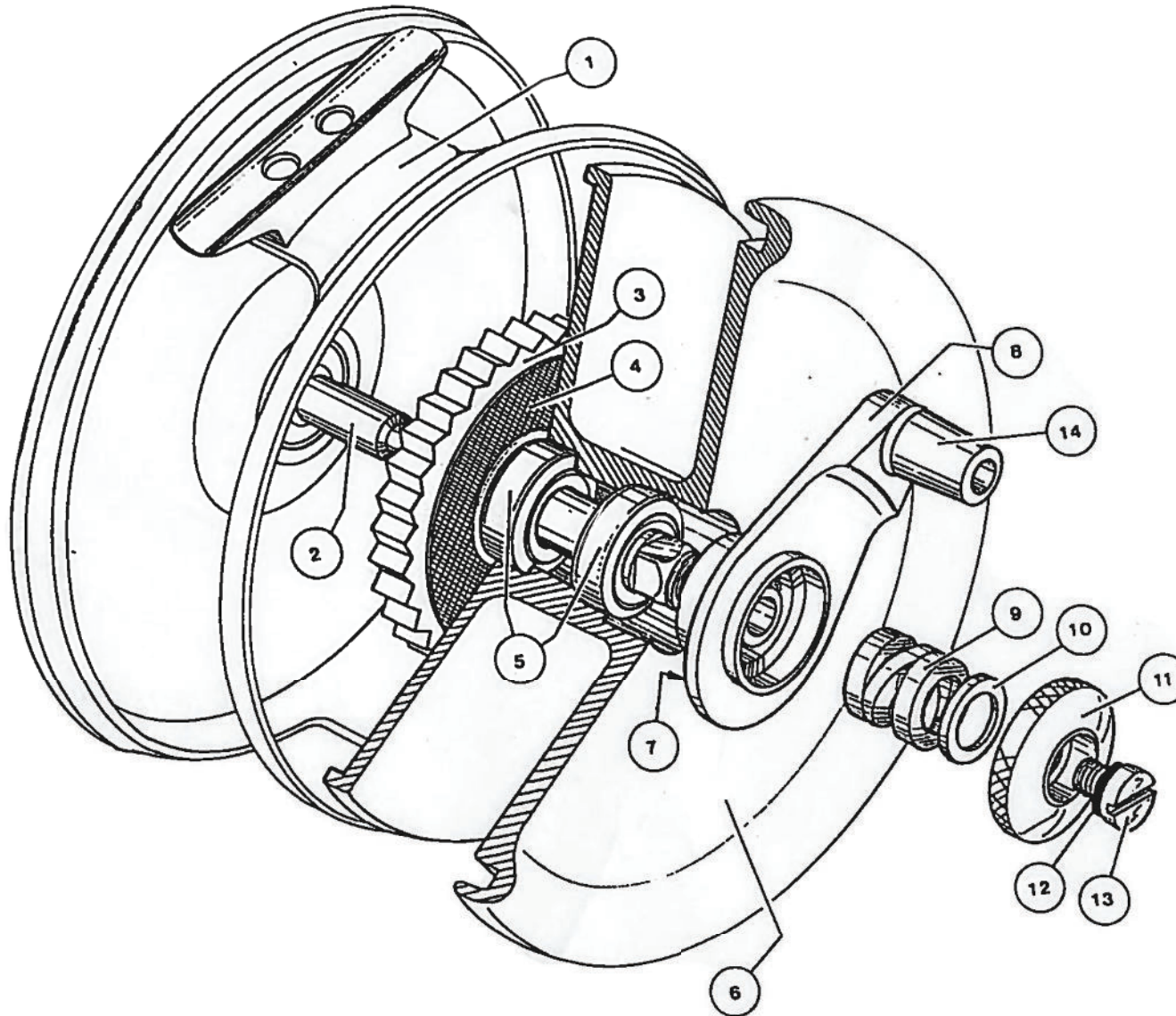


Islander Anti-Reverse

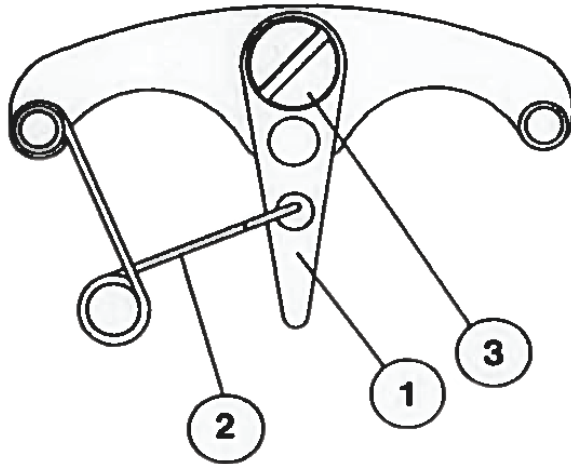
Basic Maintenance Instructions



Item	Qty.	Description
1	1	Frame
2	1	Spindle
3	1	Clutch
4	1	Cork surface
5	2	Bearings
6	1	Spool
7	1	Teflon washer
8	1	Crank
9	1	Drag spring
10	1	Washer
11	1	Drag knob
12	1	O ring
13	1	Spindle screw
14	1	Handle assembly

DISASSEMBLY

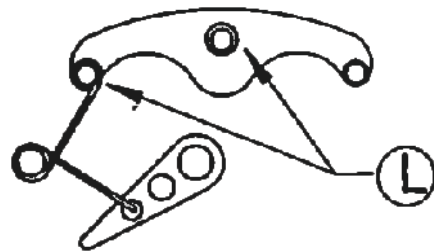
1. Remove the spindle screw by rotating it counterclockwise using the appropriate sized screwdriver.
2. The spool assembly can now be lifted away from the frame by pulling lightly while twisting the spool in the frame.
3. Rotate the drag knob counterclockwise until released. The crank assembly, including the drag spring and washer can now be separated from the spool. The clutch can now be slid away from the back of the spool, exposing the cork.



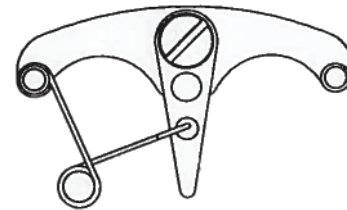
Item	Qty.	Description
1	1	Clicker
2	1	Clicker spring
3	1	Screw

The clicker spring is shown above in the correct position for all **Islander** fly reels. This spring does not have to be changed for "left/right hand" configurations. See **Reassembly**, Step 2, & Dwg. #2 to set "left/right hand" retrieve.

Assembly note: Slide the spring end over the post and ensure the spring rotates freely. Lightly lubricate the outsides of the posts shown in "Step one". Fit the clicker over the center post and install the screw (step two).



Step 1



Step 2